

Technical Data Sheet

Product Code

MCFCP3

Product Description

Flexible conduit plate 32mm

Product Dimensions

93 x 60 x 29 mm

1.2 mm thick material

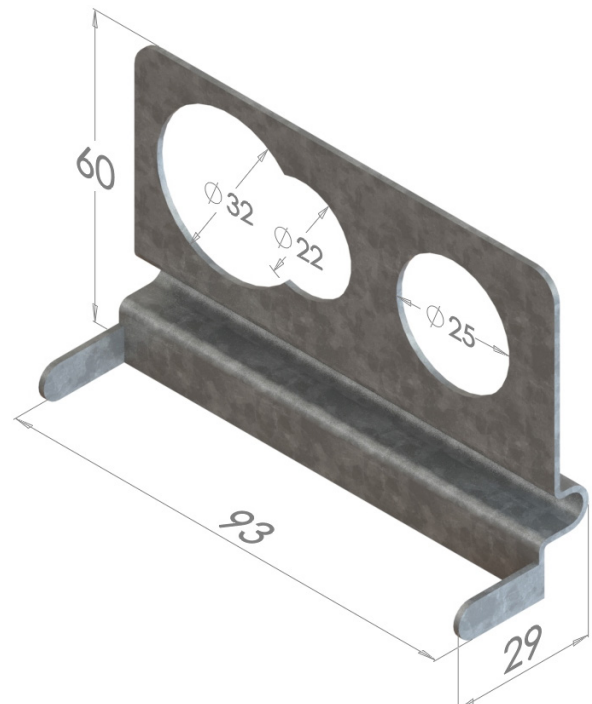
Utilisation:

Attached to steel wire cable tray in order to channel flexible conduit of either 22, 25 or 32 mm diameter

Applicable Standards:

BS EN 61537 (Cable tray systems)

BS EN 10244 (Steel wire and wire products)



Product Specification:

Manufactured: Punched from sheet steel

Material Specification:(if applicable)

Galv-DX51D-Z275-M-A-CE

Fe	Mn	Al	Si	P	Nb	Ti
95%	1.7%	2%	0.6%	0.1%	0.09%	0.3%

Yield Strength	-
Tensile Strength	270 - 500 MPa
Elongation	≥ 22%

The above are typical test results and do not constitute any part of a specification

Finishes:

MCFCP3 - Pre-Galvanised (PG), suitable for use with EZ and PG cable trays