

## Technical Data Sheet

---

### Product Codes:

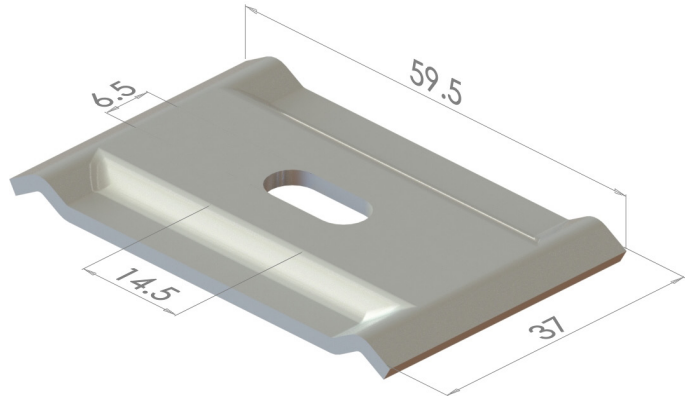
MCCL  
MCCLGT

### Product Description:

Large hold down clamp

### Product Dimensions:

59.50 x 37 x 2 mm



### Utilisation:

Attaching steel wire cable trays to solid surfaces and strut

### Applicable Standards:

BS EN 61537 (Cable tray systems)  
BS EN ISO 2081 (Metallic and other inorganic coatings)  
BS EN ISO 1461 (Hot dip galvanized coatings)

### Product Specification:

Manufactured: Power pressed from stripped steel

### Material Specification:(if applicable)

MS 2mm Q235

C	Si	Mn	P	S
0.14%	0.12%	0.41%	0.02%	0.002%

Yield Strength	275 MPa
Tensile Strength	402 MPa
Elongation	27%

The above are typical test results and do not constitute any part of a specification

### Finishes:

MCCL - Electro Zinc (EZ), suitable for use with EZ cable trays  
MCCLGT - GT 321 (Geomet®), suitable for use with EZ, HDG and PG cable trays